



Model Number

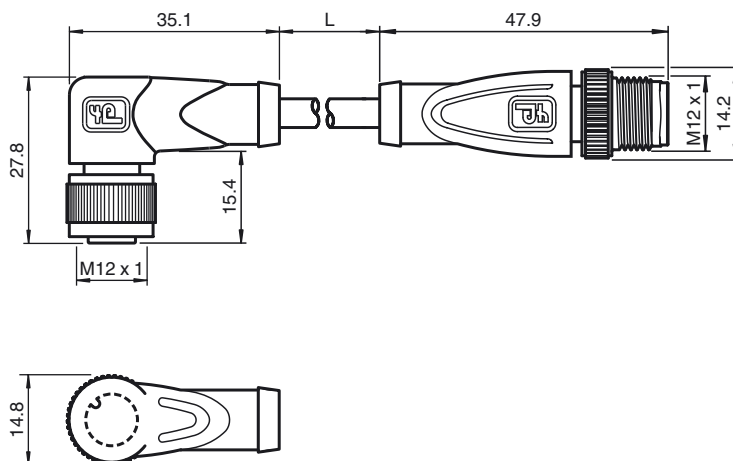
V19-W-BK5M-PUR-U/ABG-V19-G

Cordset, M12 to M12, shielded

Features

- UL Recognized Component
- Knurled nut suitable for tool assembly
- Immunity to vibration, with mechanical latching
- Gold plated contacts
- Flame resistant cable
- Resistant to microbes and hydrolysis
- Halogen-free
- Degree of protection IP67 / IP68 / IP69K

Dimensions



Technical data

General specifications

Number of pins	8 + shield
Connection 1	socket
Construction type 1	right angle
Threading 1	M12
Connection 2	Male connector
Construction type 2	straight
Threading 2	M12
UL File Number	E231213

Electrical specifications

Operating voltage	U _B	max. 30 V AC/DC
Operating current	I _B	max. 2 A

Ambient conditions

Ambient temperature	-40 ... 90 °C (-40 ... 194 °F) cable, fixed: -40 ... 80 °C (-40 ... 176 °F) cable, flexing: -20 ... 80 °C (-4 ... 176 °F)
Pollution degree	3

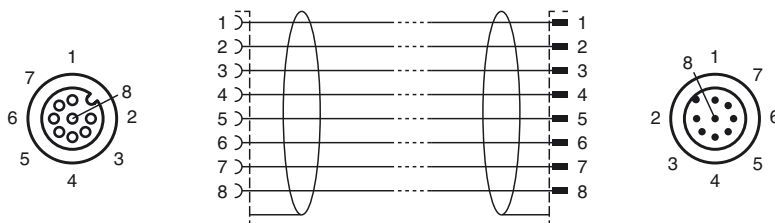
Mechanical specifications

Contact elements	spring-loaded contact socket	
Pin diameter	1 mm	
Degree of protection	IP67 / IP68 / IP69k	
Material		
Contacts	CuSn / Au	
Contact surface	Au	
Body	TPU, black	
Cable	PUR	
Slotted nut	Diecast zinc	
Core insulation	PP	
Cable	fine-strand, flexible	
Sheath diameter	Ø 6 mm	
Bending radius	> 10 x cable diameter, moving > 8 x cable diameter, fixed	
Color	black	
Cores	8 x 0.25 mm ²	
Conductor construction	14 x 0.15 mm Ø	
Shield	grid covering 85 %	
Length	L	5 m
Flammability		
Contact carrier	94 HB	
Housing	94 V-2	

Approvals and certificates

UL approval	cURus AWM 20549 AWM I/II A/B 80°C 300V FT2 (cable)
-------------	--

Electrical connection



Release date: 2018-01-25 13:57 Date of issue: 2018-02-07 240788-0003_eng.xml